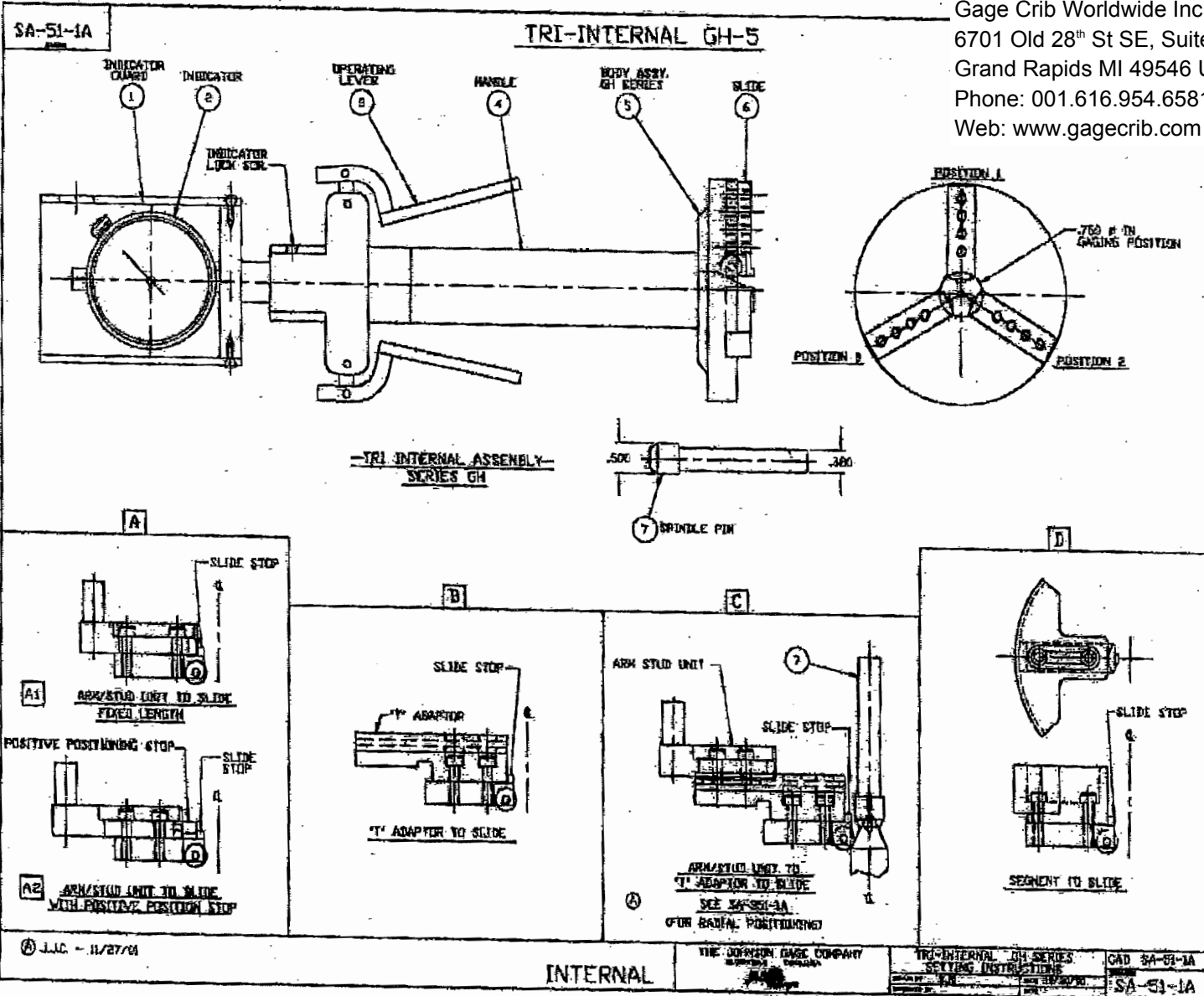


Drawing SA-51-1A

Distributed by:
Gage Crib Worldwide Inc
6701 Old 28th St SE, Suite B
Grand Rapids MI 49546 USA
Phone: 001.616.954.6581
Web: www.gagecrib.com



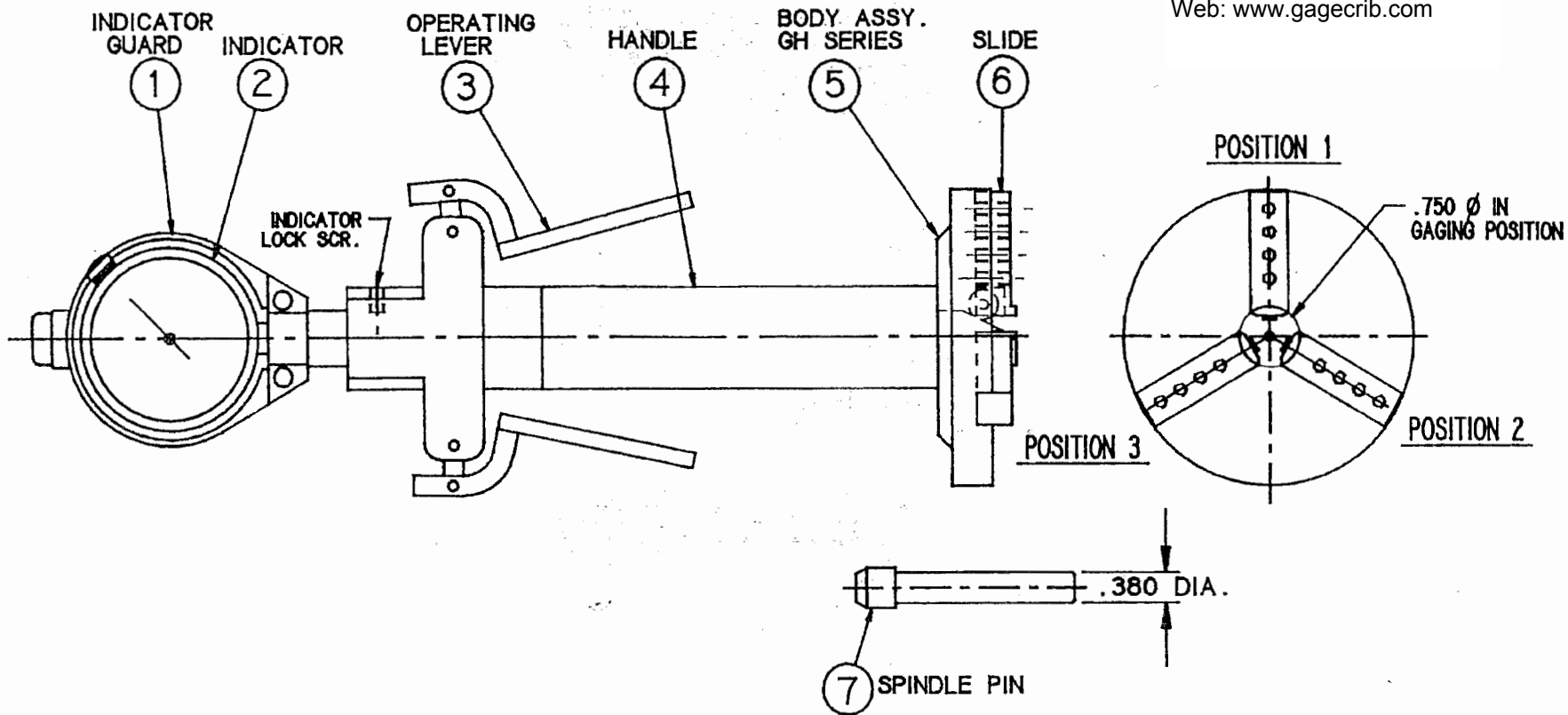
INT 3

9

DOC DATE: 4/5/07

TRI-INTERNAL GH-5

Distributed by:
 Gage Crib Worldwide Inc
 6701 Old 28th St SE, Suite B
 Grand Rapids MI 49546 USA
 Phone: 001.616.954.6581
 Web: www.gagecrib.com



JGASA 2/2/90

THE JOHNSON GAGE COMPANY
 BLOOMFIELD CONN., U.S.A.



TRI-INTERNAL GH SERIES SETTING INSTRUCTIONS

DRAWN BY	GDP	DATE	12/10/96
APPROVED BY		DATE	

CAD SA-351

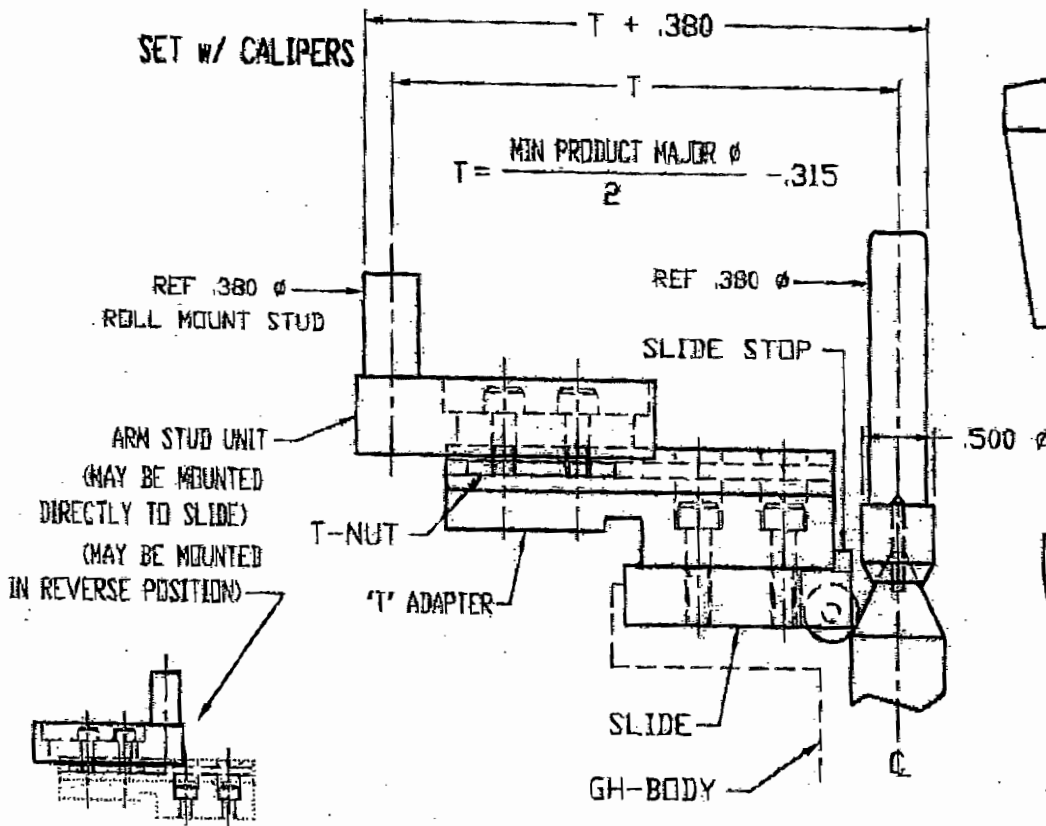
DRAWING

SA-351

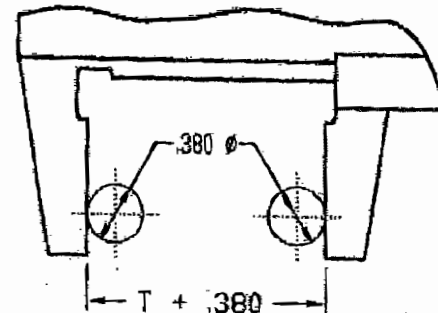
SA-351-1A

ARM/STUD UNIT TO 'T'- ADAPTOR TO SLIDE
 TYP 3 PLACES (120° APART)

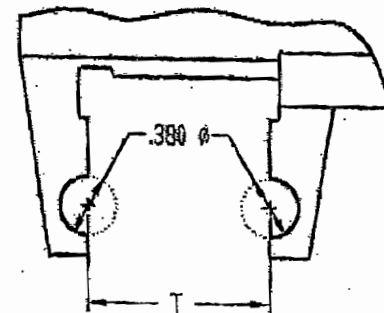
Distributed by:
 Gage Crib Worldwide Inc
 6701 Old 28th St SE, Suite B
 Grand Rapids MI 49546 USA
 Phone: 001.616.954.6581
 Web: www.gagecrib.com



FLAT JAWS



MODIFIED JAWS



THE JOHNSON GAGE COMPANY
 BLOOMFIELD CONN., U.S.A.



**TRI-INTERNAL GH SERIES
 SETTING INSTRUCTIONS**

DRAWN BY J.J.C.

DATE: 06/06/03

APPROVES BY

DATE

CAD SA351-1C

DRAWING

SA-351-1A

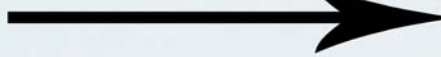


ISO 9001:2000 REGISTERED
YOUR THREAD INSPECTION RESOURCE
THE JOHNSON GAGE COMPANY

Distributed by: Gage Crib Worldwide Inc
6701 Old 28th St SE, Suite B
Grand Rapids MI 49546 USA
Phone: 001.616.954.6581
Web: www.gagecrib.com

MODEL GJ-5 SPINDLE

SPINDLE TYPE



OBSOLETE

SPINDLE TYPE



CURRENT