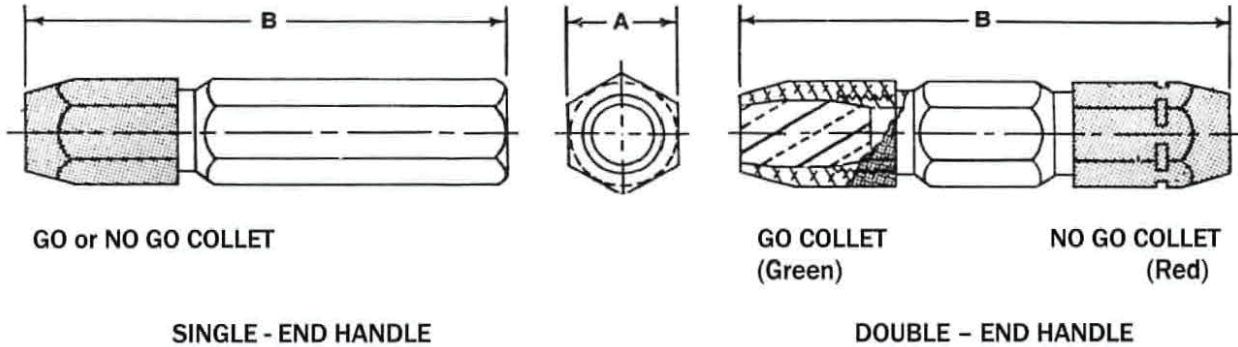


# REVERSIBLE, WIRE TYPE, PIN GAGE HANDLES



ORDER BY HANDLE SIZE NUMBER		PLUG GAGE DIAMETERS		GENERAL DIMENSIONS	
SINGLE END	DOUBLE END	ABOVE	TO & INCL.	A	B
1W S.E.	1W D.E.	0.030	0.075	1/4	2-1/4
2W S.E.	2W D.E.	0.075	0.180	3/8	2-15/32
3W S.E.	3W D.E.	0.180	0.281	9/16	3-1/8
4W S.E.	4W D.E.	0.281	0.406	11/16	3-19/32
5W S.E.	5W D.E.	0.406	0.510	13/16	4-3/16
6W S.E.	6W D.E.	0.510	0.635	15/16	4-17/32
7W S.E.	7W D.E.	0.635	0.760	1-1/16	4-21/32
8W S.E.	8W D.E.	0.760	1.010	1-1/4	5-1/4

All Reversible Pin Gage Handles are made from aluminum, with collets anodized red for the "No Go" gaging member, green for the "Go" gaging member, with a polished hexagon center. Handles are available in polished aluminum, or may be anodized in Black, Yellow, Dark Blue, Green, Red, Gold, Light Blue, Copper, Light Gold, Gold, Dark Gold, Grey, Clear Coating, Orange, and Purple for an additional charge.

**NOTE:** Bushings sold separately

To Order Contact:

Gage Crib Worldwide Inc.  
 6701 Old 28<sup>th</sup> St SE; Suite B  
 Grand Rapids MI 49546-6937

Email: sales1@gagecrib.com  
 Phone: 001.616.954.6581  
 Fax: 001.616.954.6583